

**WASTE WATER PUMPS**

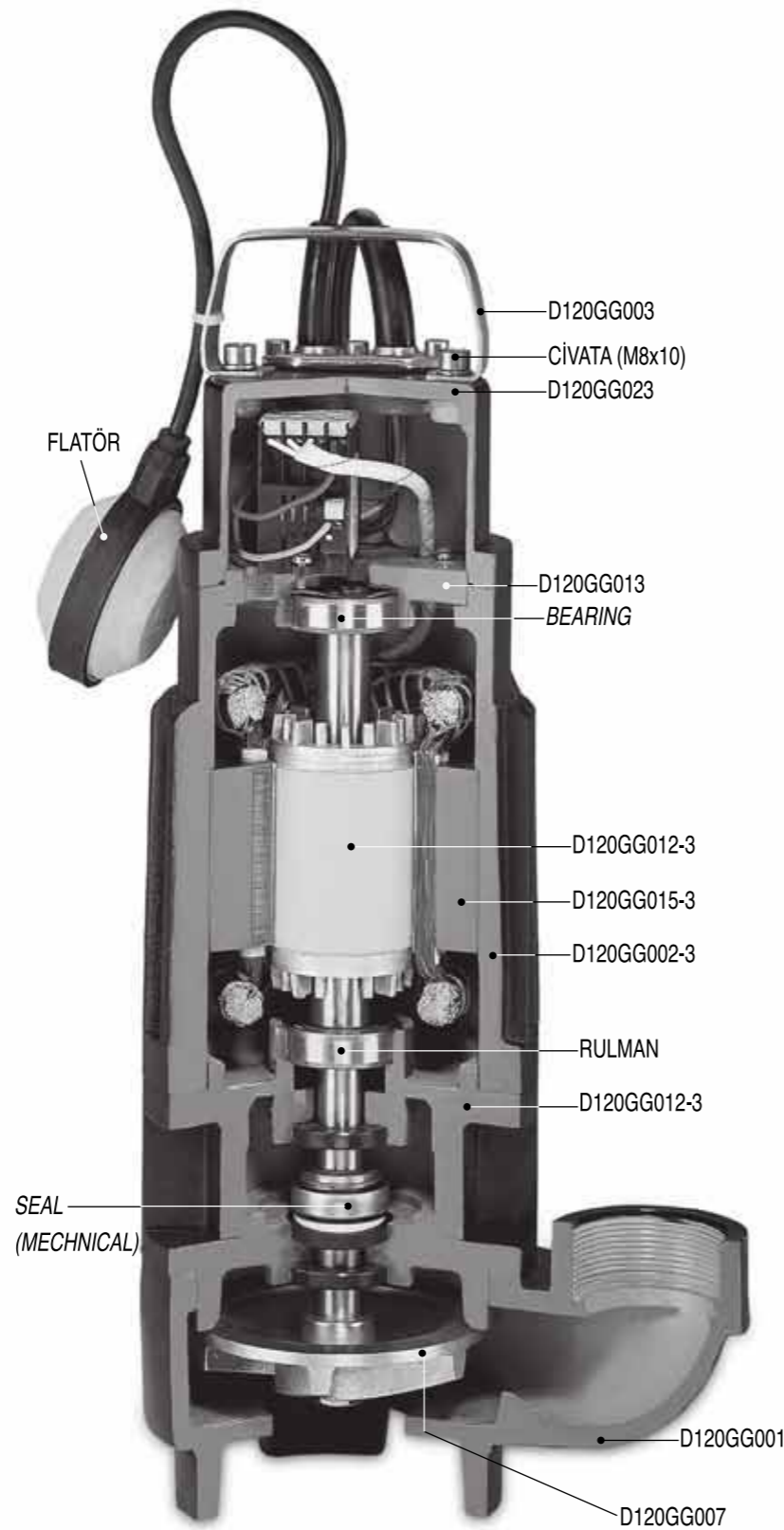
D120GG001	Impeller lower cover
D120GG002-3	Motors body
D120GG007	Impeller
D120GG12	Lower bearing cover
D120GG012-3	Rotor piece
D120GG13	Upper bearing cover
D120GG015-3	Stator piece
RULMAN	Bearing
Keçe (Mekanik)	Mechanical seal
D120GG023	Upper support cover

**WASTE WATER PUMPS USAGE PLANTS**

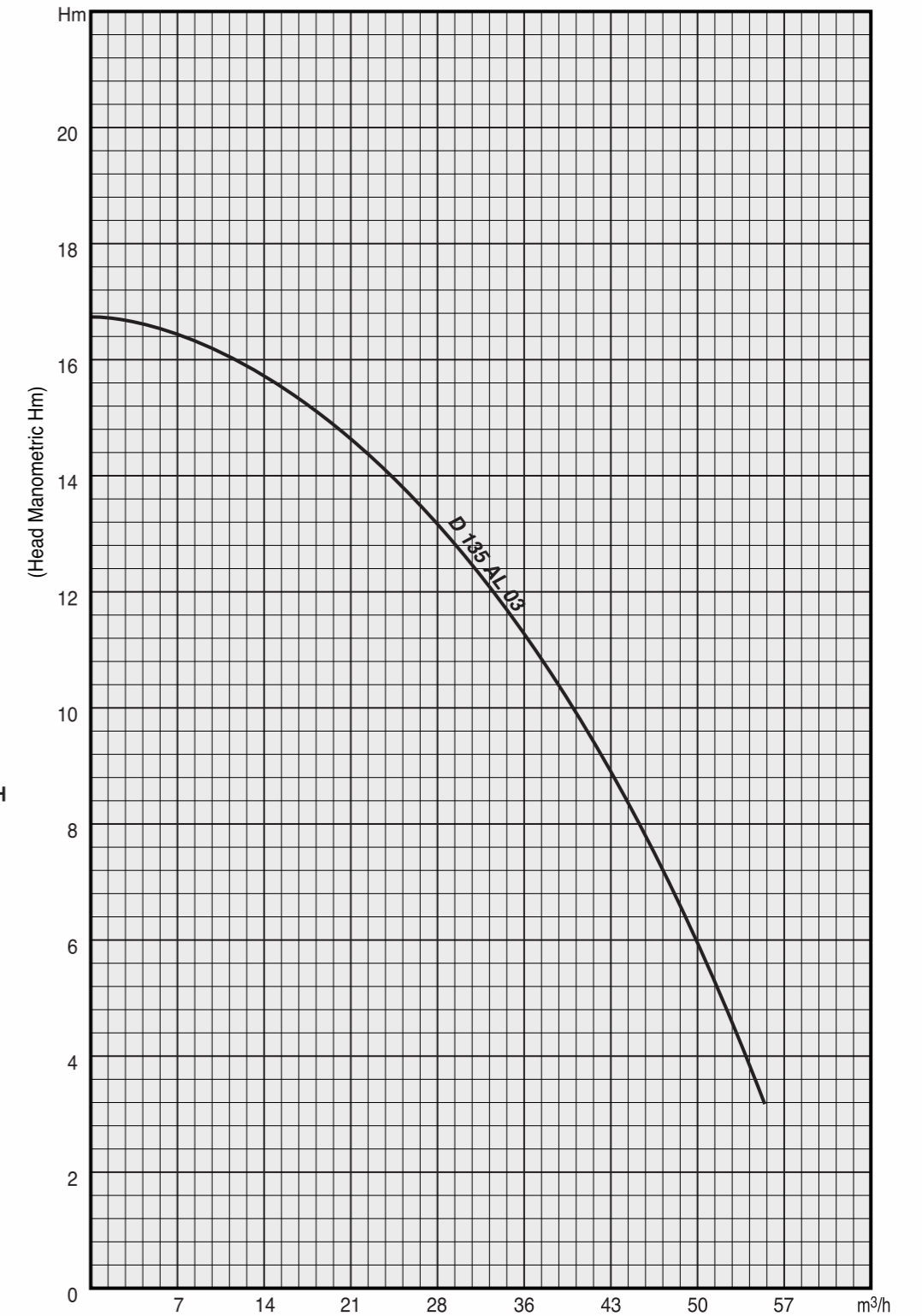
* Industrial plants
* Tourism plants
* Sea and ships plants
* Constructions, floor water and refinement water
* Fire departmentants
* Domestic applications for discharge of rain, flood, river and lake waters by pressure.

**TECHNICAL SPECIFICATIONS**

* For clean and dirty liquids up to 40°C heat.
* Up to (mechanics) 35 mm piece
* Motor is oil-cooled
* Motor protection class : IP 68
* Insulation class : F
* Max. start : 20 Start/Saat



**D135 AL WASTE WATER PUMP SERIES**



WASTE WATER PUMP TYPE	HP	KW	AMPER		Lt / s m³ / h	Basma Yüksekliği (Hm)							
			220 V	380 V		0	1,94	3,89	5,83	7,78	10,00	11,94	13,89
D 135 AL 03	3	2,2	-	5	16,4	16,2	15,5	14,5	13	11,2	8,8	5,8	

WASTE WATER PUMP TYPE	HP	KW	AMPER		H	D	H1	L	KG
			220 V	380 V					
D 135 AL 03	3	2,2	-	5	60	75	-	27	35,5

We reserve the rights to make changes.