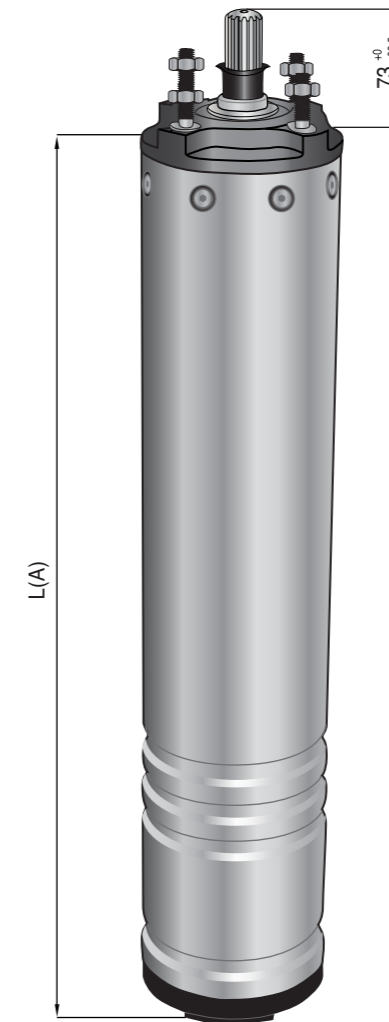


STANDARD TYPE		
PRODUCT	MATERIAL	CODE
Lower Support Cover	Abs	001
Membrane	Rubber	002
Membrane Sheet	304 Stainless Steel	003
Bearing Housing	Cast Iron	004
Motor Housing	(316 Optional)	005
Rotor	Si Sheet	006
Stator	Si Sheet	007
Upper Support	Cast Iron	008
Sand Guard	Rubber	009

TECHNICAL SPECIFICATIONS	
Frequency	50 Hz. or 60 Hz.
Max. water temp.	25°C
Max. sand content	15 gr / m <sup>3</sup>
Max. start / h	(start/h)
Max. voltage	+%6 / -%10
Direction of motor rotation	CCW
Motor protection category	IP 58 or IP 68
Rewindable motor category	B (optional F)

We reserve the rights to make changes in design and drawing.



MOTOR TYPE	Kw	L (A) mm	WEIGHT kg
S145 OM / 7,5	5,5	640	31,5
S145 OM / 10	7,5	680	33,5
S145 OM / 12,5	9	710	36,5
S145 OM / 15	11	750	42
S145 OM / 17,5	13	780	46
S145 OM / 20	15	820	52
S145 OM / 25	18,5	890	59
S145 OM / 30	22	960	67

Technical characteristics of submersible motors (50 Hz)

MOTORS TYPE	HP	KW	V	In (A)	Nn dk/dak	COS Q	Verim (EFF) %	Output cord given in standard
S145 OM / 7,5	7,5	5,5	380	11,5	2850	0,92	84	4x4 (4,5 m 1PC.)
S145 OM / 10	10	7,5	380	16,5	2840	0,88	84	4x4 (4,5 m 1PC.)
S145 OM / 12,5	12,5	9	380	20	2855	0,86	83	4x4 (4,5 m 1PC.)
S145 OM / 15	15	11	380	22	2845	0,91	86	4x4 (4,5 m 1PC.)
S145 OM / 17,5	17,5	13	380	25,5	2850	0,9	85	4x4 (4,5 m 1PC.)
S145 OM / 20	20	15	380	28	2840	0,93	88	4x4 (4,5 m 1PC.)
S145 OM / 25	25	18,5	380	36	2860	0,91	87	4x4 (4,5 m 1PC.)
S145 OM / 30	30	22	380	46	2855	0,9	86	4x4 (4,5 m 1PC.)